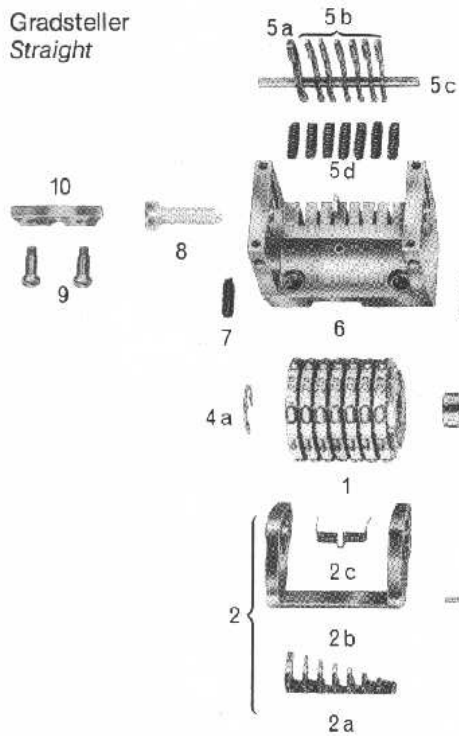
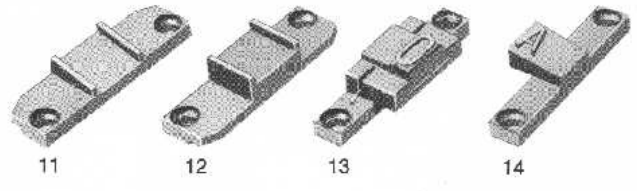


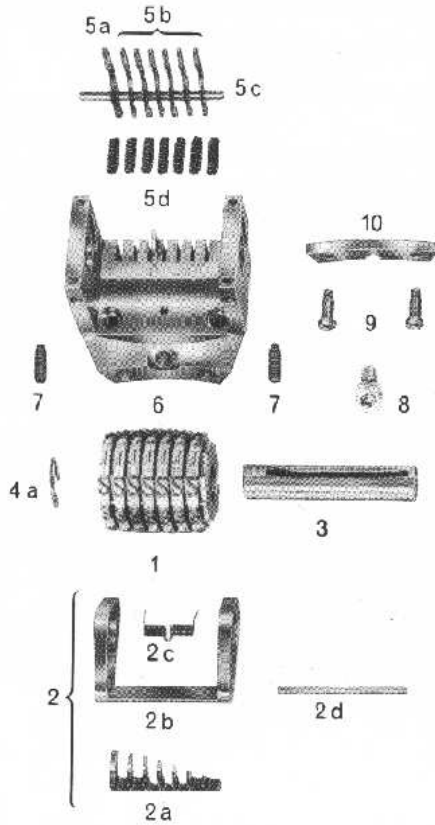
**Gradsteller  
Straight**



Dies for steel and rubber slides; they can easily be fitted to the case-wall of every Standard Rotary Numbering Machine even when they are ordered later.

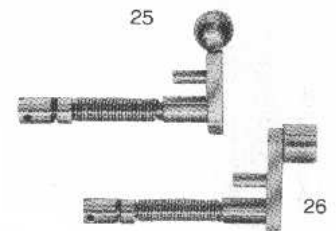


**Quersteller  
Convex**



- 1 Set of wheel, 7 wheels (consists of Unit wheel and Tens wheels)
- 2 complete Swing
- 2a Actuating Pawl
- 2b Swing only
- 2c Actuating pawl spring
- 2d Actuating pawl shaft
- 3 Tube shaft
- 4 Operating arm
- 4a E-Ring
- 5a Unit retaining pawl

- 5b Tens retaining pawl 2nd - 7th pos.
- 5c Retaining pawl shaft
- 5d Retaining pawl springs set of Retaining pawls (consists of 5a, 5b, 5c and 5d)
- 6 Frame
- 7 Shaft set screw
- 8 Gib locking screw
- 9 Gib holding screw (2 per set)
- 10 Gib
- 11 Convex Die for rubber slide
- 12 Straight Die for rubber slide
- 13 Straight Die (with interchangeable Slide)
- 14 Convex Die with engraved Slide



For Machines that function with return springs: This applies to Rotary Numbering Machines that do not work in closed Cams.